

Modular Split Unit



YICA & YIDX Series
High Performance & Reliable R407C R410A



SHOPPING
CENTERS



OFFICES



HOTELS



INDUSTRIES



HOSPITALS



BROADCASTINGS



AIRPORT
TERMINALS



TRANSPORTATIONS

Product Introduction

ITU - YICA & YIDX Series are series of ITU-Ducted units that applied as a Direct Expansion/DX Split System to suit as an effective commercial and industrial Air Conditioning applications.

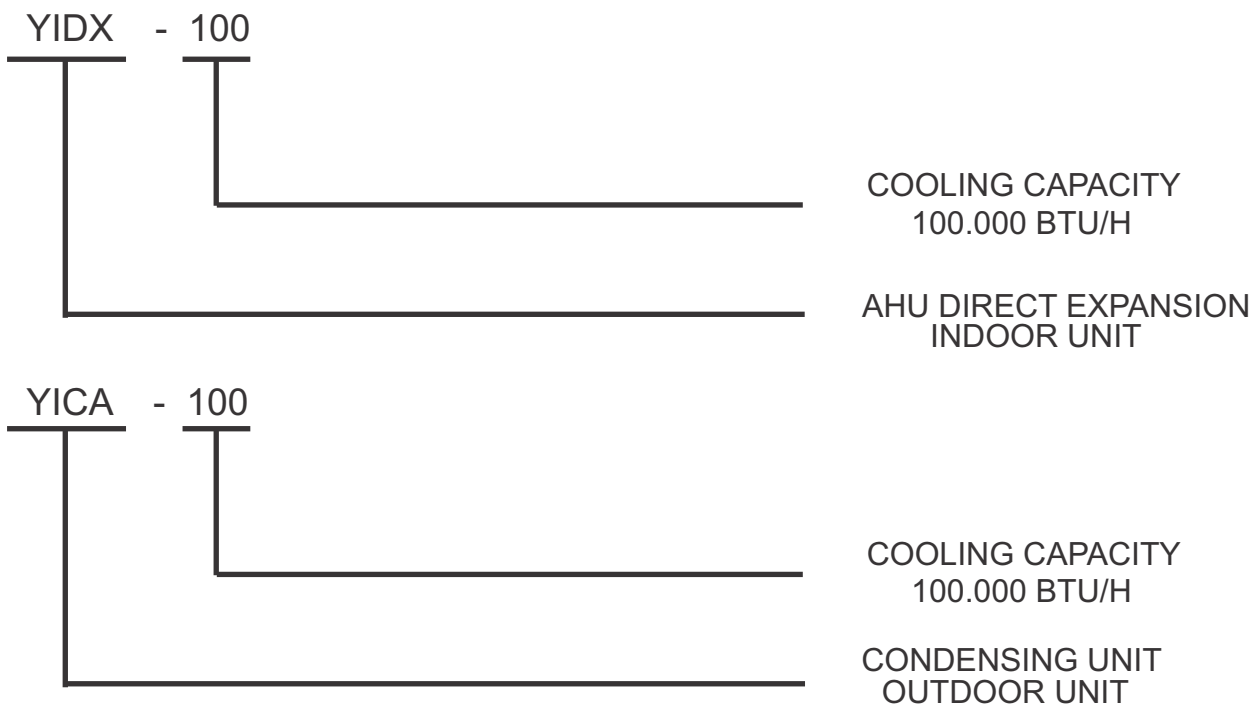
YICA series are the series of condensing units with an attractive design, has a unique “U” or “L” shape coils for size optimization and easier maintenance handling.

YIDX series are the series of evaporating units that are possible to be installed at the floor or suspended from the ceiling and can be manufactured to fit any space and any duct requirements.

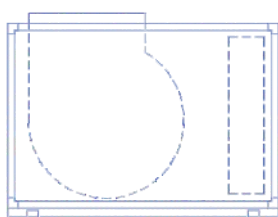
Suitable applied in a large commercial /industrial building e.g. shopping centers, offices, hotels, industries, hospitals, broadcastings, airport terminals, warehouses, ballroom, sport centers and other industrial purposes.

These series are dedicated to protect environment by using go green Refrigerants such as R410A, R407C, which are ozone-depleting potential factors:zero
Capacity range are available from the of 20,000 Btu/H to 750,000 Btu/H, and the air flow ranging from 700 CFM to 20,500 CFM.

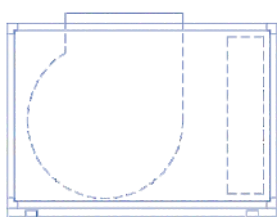
Nomenclature



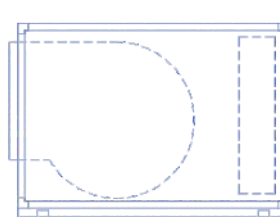
Fans Arrangements YIDX



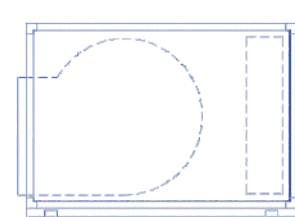
TOP DISCHARGE (T)



TOP DISCHARGE (TI)



REAR DISCHARGE (R)



REAR DISCHARGE (RI)

Technical Data

Models		Indoor	YIDX 020	YIDX 030	YIDX 040	YIDX 050	YIDX 060	YIDX 075	YIDX 100	YIDX 125	YIDX 150											
		Outdoor	YICA 020	YICA 030	YICA 040	YICA 050	YICA 060	YICA 075	YICA 100	YICA 125	YICA 150											
Nominal Cooling Capacities		Btu/h	20,000	30,000	40,000	50,000	60,000	75,000	100,000	125,000	150,000											
		kW	5.9	8.8	11.7	14.7	17.6	22.0	29.3	36.6	44.0											
		TR	1.7	2.5	3.3	4.2	5.0	6.3	8.3	10.4	12.5											
		Kcal/h	5,040	7,560	10,080	12,600	15,120	18,900	25,200	31,500	37,800											
Refrigerant		R407C / R410A																				
In door	Air Flow	CMH	1190	1700	2040	2720	3400	4250	5270	6460	7820											
		CFM	700	1000	1200	1600	2000	2500	3100	3800	4600											
	Fan Type	Forward Curve Centrifugal																				
	Drive	Direct Drive					Belt Drive															
	External Static Pressure	In Wg	0.7	1	1.2	1.4	0.7	1	1.2	1.4	0.7	1	1.2	1.4	0.7	1	1.2	1.4	0.7	1	1.2	1.4
	Motor fan	HP	0.2		0.4		0.6		0.8		1	1.5	1	1.5	2	2	3	2	3	3	3	4
		KW	0.15		0.3		0.45		0.6		0.8	1.1	0.8	1.1	1.5	1.5	2.3	1.5	2.25	2.25	3.0	
		Pole	4		4		4		4		4	4	4	4	4	4	4	4	4	4		
	Power Supply	V/Ph/h	220-230/1/50					380 - 400 /3/50														
	RLA	Ampere	0.39		0.79		1.31		1.31		1.9	2.9	1.9	2.9	3.6	3.6	5	3.6	5	5	6.6	
	Cooper tube diameter	inch	1/2"		1/2"		1/2"		1/2"		1/2"		1/2"		1/2"		1/2"		1/2"			
	Aluminium Fin	Row	3		3		3		3		3		3		3		3		3			
		Fin per inch	12		12		12		12		12		12		12		12		12			
	Face Area	ft ²	1.7		2		3		3.6		4.1		5.02		6.22		7.53		9.85			
	Pipe Size	Liquid	inch	3/8"		3/8"		3/8"		1/2"		1/2"		5/8"		5/8"		5/8"		5/8"		
		Suction	inch	3/4"		3/4"		3/4"		3/4"		3/4"		1 1/8"		1 1/8"		1 1/8"		1 1/8"		
	Connection	Brazeing Connection																				
Drain Pipe	inch	3/4"		3/4"		3/4"		3/4"		1"	1"	1"	1"	1"	1"	1"	1"	1"	1"			
Air Filter	Washable synthetic pre filter																					
Cassing	Galvanized Steel with powder coated surface																					
Weight	Kg	26		29		40		46		66		85		101		116		138				
Out door	Compressor	Type	Scroll Compressor																			
		Qty	1		1		1		1		1		1		1		1		1			
	Power Supply	V/Ph/h	380 - 400 / 3 / 50																			
	Power input	R-407C	kW	2		2.68		3.62		4.43		5.26		6.95		8.96		10.81		13.6		
	RLA		Ampere	3.7		4.7		5.7		8.3		9.8		12.1		16.4		21.6		24		
	LRA	Ampere	32		43		51.5		64		75		101		118		140		174			
	Power	R-410A	kW	2.27		3.15		4		4.75		5.7		6.63		9.1		11.6		13.5		
	RLA		Ampere	4.1		5.3		6.9		8.9		10		12.4		16.6		20.8		26.3		
	LRA	Ampere	32		43		51.5		64		75		101		118		140		174			
	Fan	Fan Type / Drive	Compact Axial fan / Direct Drive																			
Diameter		mm	350		500		500		600		600		600		630		630		630			
Qty		pcs	1		1		1		1		1		1		1		1		2			
Power Supply		V/Ph/h	380 / 3 / 50		380 / 3 / 50		380 / 3 / 50		380 / 3 / 50		380 / 3 / 50		380 / 3 / 50		380 / 3 / 50		380 / 3 / 50		380 / 3 / 50			
Power input		Watt	129		414		414		780		780		780		800		800		1600			
RLA		Ampere	0.4		0.85		0.85		1.57		1.57		1.57		1.6		1.6		2 x 1.6			
Coil	Copper tube diameter	inch	3/8"		3/8"		3/8"		3/8"		3/8"		3/8"		3/8"		3/8"		3/8"			
	Aluminium Fin	Row	2		2		2		2		2		2		2		2		2			
		Fin per inch	12		12		12		14		14		14		14		14		14			
Face Area	ft ²	4.67		4.67		5.41		5.41		6.66		12		14.6		19		19				
Pipe Size	Liquid	inch	3/8"		3/8"		3/8"		1/2"		1/2"		5/8"		5/8"		5/8"		5/8"			
	Suction	inch	3/4"		3/4"		3/4"		3/4"		3/4"		1 1/8"		1 1/8"		1 1/8"		1 1/8"			
Connection	Brazeing Connection																					
Cassing	Galvanized Steel with powder coated surface																					
Weight	Kg	42		48		69		74		75		130		137		150		170				

To next page

Technical Data

Models		Indoor	YIDX 0200	YIDX 250	YIDX 300	YIDX 350	YIDX 400	YIDX 450	YIDX 500	YIDX 600	YIDX 750											
		Outdoor	YICA 0200	YICA 250	2 x YICA 150	YICA 200 + 150	2 x YICA 200	YICA 250 + 200	2 x YICA 250	3 x YICA 200	3 x YICA 250											
Nominal Cooling Capacities		Btuh	200,000	250,000	300,000	350,000	400,000	450,000	500,000	600,000	750,000											
		KW	58.6	73.3	87.9	102.6	117.2	131.9	146.5	175.8	219.8											
		TR	16.7	20.8	25.0	29.2	33.3	37.5	41.7	50.0	62.5											
		Kcal/h	50,400	63,000	75,600	88,200	100,800	113,400	126,000	151,200	189,000											
Refrigerant		R407C / R410A																				
In door	Fan	Air Flow	CMH	10540	12920	16320	18190	21080	23800	25500	30600	34850										
			CFM	6200	7600	9600	10700	12400	14000	15000	18000	20500										
		Fan Type	Forward Curve Centrifugal																			
	Drive	Belt Drive																				
	External Static Pressure	In Wg	0.7	1	1.2	1.4	0.7	1	1.2	1.4	0.7	1	1.2	1.4	0.7	1	1.2	1.4	0.7	1	1.2	1.4
	Motor fan	HP	3	5.5	5.5	5.5	7.5	10	7.5	10	15	20										
		KW	2.25	4.125	4.125	4.125	5.6	7.5	5.625	7.5	11.25	15.0										
		Pole	4	4	4	4	4	4	4	4	4	4										
	Power Supply	V/Ph/h	380 - 400 / 3 / 50																			
	RLA	Ampere	5.09	8.8	8.8	8.8	12	14.9	12	14.85	21.95	29.2										
	Coil	Cooper tube diameter	inch	1/2"	1/2"	1/2"	1/2"	1/2"	1/2"	1/2"	1/2"	1/2"										
		Aluminium Fin	Row	3	3	3	3	3	3	3	3	3										
			Fin per inch	12	12	12	12	12	12	12	12	12										
	Face Area	ft2	11.48	15.57	19.98	21.52	23.57	28.28	30.74	33.81	37.57											
	Piping	Pipe Size	Liquid	inch	5/8"	5/8"	5/8"	5/8"	5/8"	5/8"	5/8"	5/8"										
Suction			inch	1 1/8"	1 1/8"	1 1/8"	1 1/8"	1 1/8"	1 1/8"	1 1/8"	1 1/8"											
Connection		Brazing Connection																				
Drain Pipe	inch	1"	1"	1"	1"	1"	1"	1"	1"	1"												
Air Filter	Washable synthetic pre filter																					
Cassing	Galvanized Steel with powder coated surface																					
Weight	Kg	170	207	252	280	300	348	375	405	605												
Out door	Compressor	Type	Scroll Compressor																			
		Qty	2	2	2 + 2	2 + 2	2 + 2	2 + 2	2 + 2	2 + 2	2 + 2 + 2	2 + 2 + 2										
		Power Supply	V/Ph/h	380 - 400 / 3 / 50																		
		Power input	R-407C	kW	17.92	21.62	27.2	31.52	35.84	39.54	43.24	53.76	64.86									
		RLA		Ampere	32.8	43.2	48	56.8	65.6	76	86.4	98.4	129.6									
		LRA	Ampere	236	280	348	410	472	516	560	708	840										
	Power	R-410A	kW	18.2	23.2	27	31.7	36.4	41.4	46.4	54.6	69.6										
	RLA		Ampere	33.2	41.6	52.6	59.5	66.4	74.8	83.2	99.6	124.8										
	LRA		Ampere	236	280	348	410	472	516	560	708	840										
	Fan	Fan Type / Drive	Compact Axial fan / Direct Drive																			
		Diameter	mm	630	630	630	630	630	630	630	630	630										
		Qty	pcs	2	2	1 + 1	2 + 1	2 + 2	2 + 2	2 + 2	2 + 2 + 2	2 + 2 + 2										
		Power Supply	V/Ph/h	380 / 3 / 50	380 / 3 / 50	380 / 3 / 50	380 / 3 / 50	380 / 3 / 50	380 / 3 / 50	380 / 3 / 50	380 / 3 / 50	380 / 3 / 50										
		Power input	Watt	1600	1600	3200	3200	3200	3200	3200	4800	4800										
	RLA	Ampere	2 x 1.6	2 x 1.6	4 x 1.6	4 x 1.6	4 x 1.6	4 x 1.6	4 x 1.6	4 x 1.6	6 x 1.6	6 x 1.6										
Coil	Copper tube diameter	inch	3/8"	3/8"	3/8"	3/8"	3/8"	3/8"	3/8"	3/8"	3/8"											
	Aluminium Fin	Row	2	2	2	2	2	2	2	2	2											
		Fin per inch	14	14	14	14	14	14	14	14	14											
Face Area	ft2	33.8	41.6	19 + 19	33.8 + 19	33.8 + 33.8	41.6 + 33.8	41.6 + 41.6	33.8 + 33.8 + 33.8	41.6 + 41.6 + 41.6												
Piping	Pipe Size	Liquid	inch	5/8"	5/8"	5/8"	5/8"	5/8"	5/8"	5/8"	5/8"											
		Suction	inch	1 1/8"	1 1/8"	1 1/8"	1 1/8"	1 1/8"	1 1/8"	1 1/8"	1 1/8"											
Connection	Brazing Connection																					
Cassing	Galvanized Steel with powder coated surface																					
Weight	Kg	180	220	170 + 170	180 + 170	180 + 180	220 + 180	220 + 220	180 + 180 + 180	220 + 220 + 220												

With Modular system (YIDX + multi YICA) capacity output can meet the actual load requirement. When the load is increasing, system will increase outdoor number to increase power consumption for meeting the requirement

Dimension of Unit

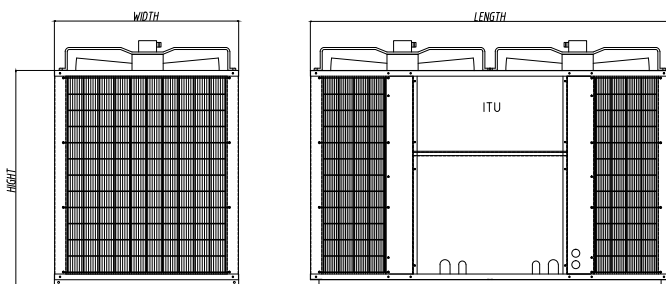
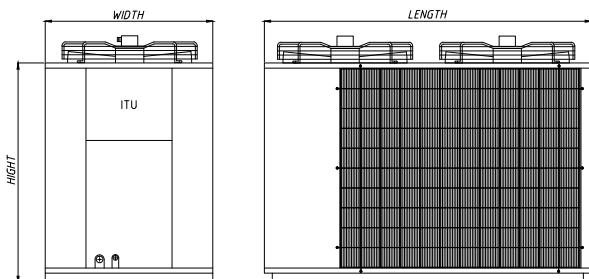
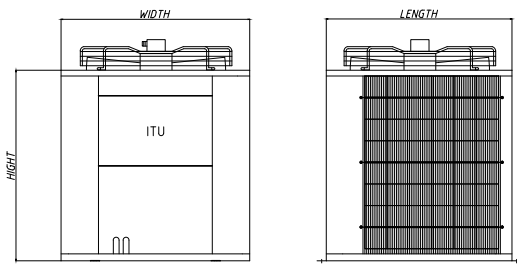
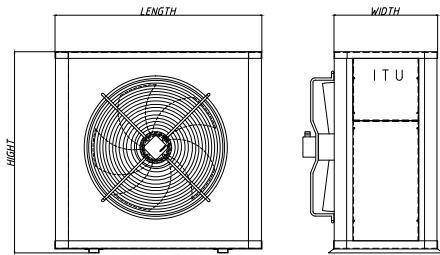
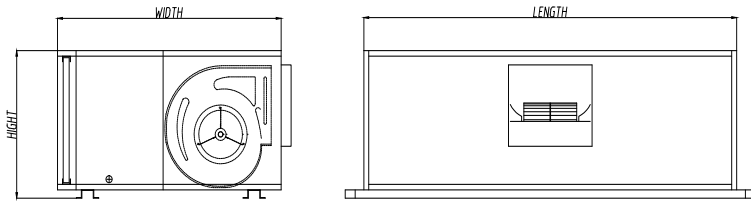
Type	LENGTH	X	WIDTH	X	HIGHT
YIDX 020	735	X	615	X	445
YIDX 030	810	X	615	X	445
YIDX 040	1100	X	615	X	445
YIDX 050	1100	X	615	X	470
YIDX 060	1100	X	900	X	535
YIDX 075	1250	X	900	X	535
YIDX 100	1500	X	900	X	535
YIDX 125	1470	X	1000	X	650
YIDX 150	1700	X	1000	X	700
YIDX 200	1700	X	1100	X	860
YIDX 250	2100	X	1100	X	860
YIDX 300	2150	X	1375	X	1055
YIDX 400	2300	X	1375	X	1055
YIDX 450	2500	X	1500	X	1250
YIDX 500	2750	X	1500	X	1300
YIDX 600	3000	X	1500	X	1300
YIDX 750	3000	X	1660	X	1427

Type	LENGTH	X	WIDTH	X	HIGHT
YICA 020	725	X	370	X	615
YICA 030	800	X	400	X	770
YICA 040	800	X	400	X	820
YICA 050	800	X	400	X	920
YICA 060	800	X	400	X	920

Type	LENGTH	X	WIDTH	X	HIGHT
YICA 075	800	X	815	X	820
YICA 100	800	X	815	X	820
YICA 125	800	X	815	X	1020

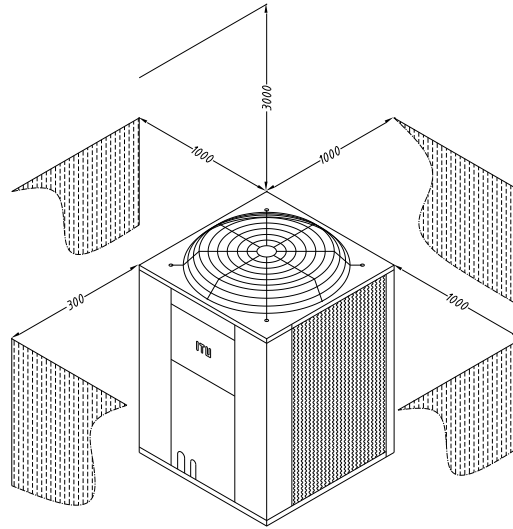
Type	LENGTH	X	WIDTH	X	HIGHT
YICA 150	1580	X	815	X	1020

Type	LENGTH	X	WIDTH	X	HIGHT
YICA 200	1580	X	810	X	965
YICA 250	1750	X	862	X	1018

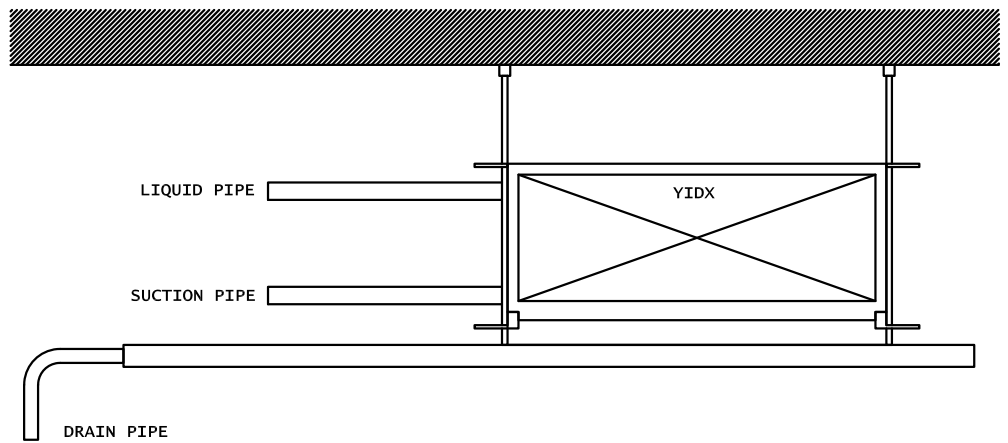
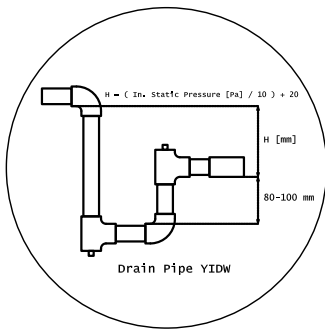


Installation Unit

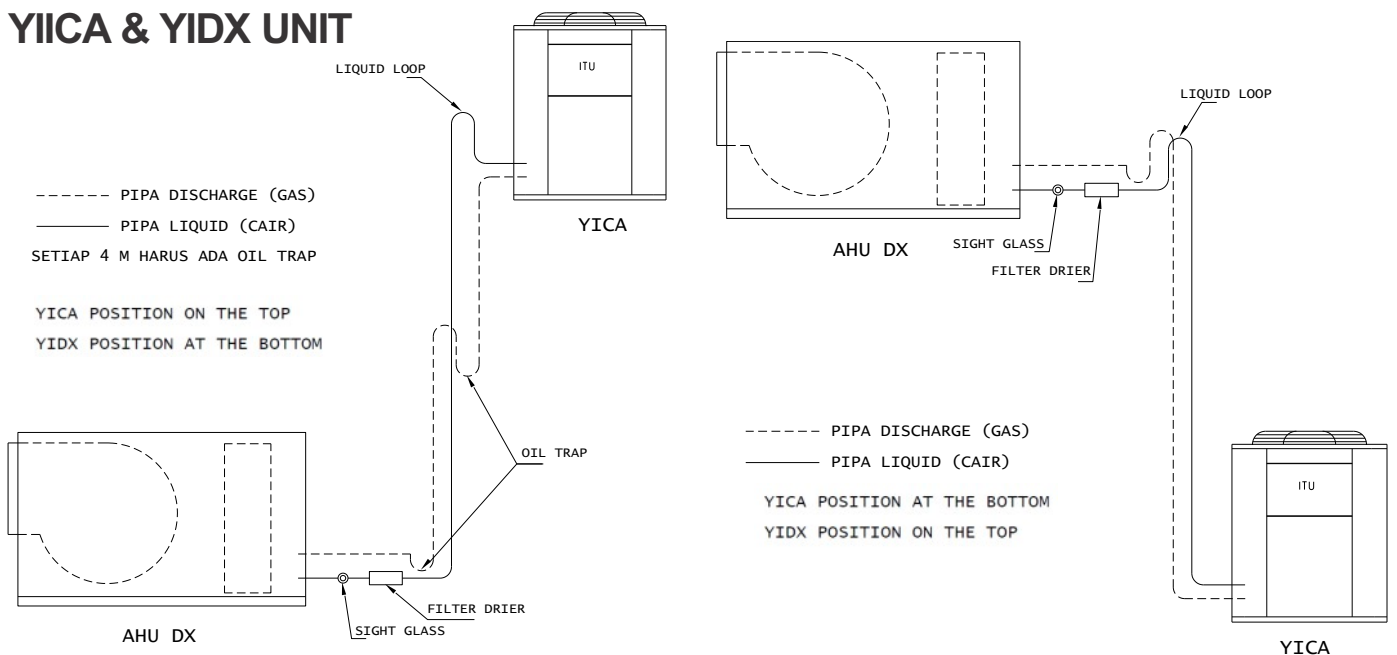
YICA UNIT



YIDX UNIT



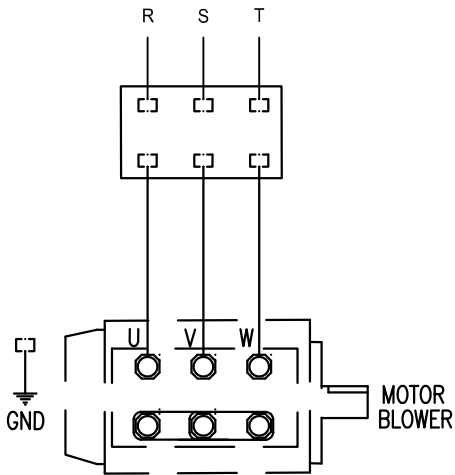
YICA & YIDX UNIT



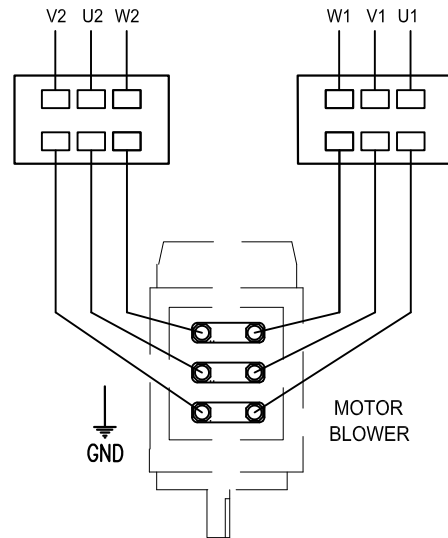
Wiring Diagram

YIDX UNIT

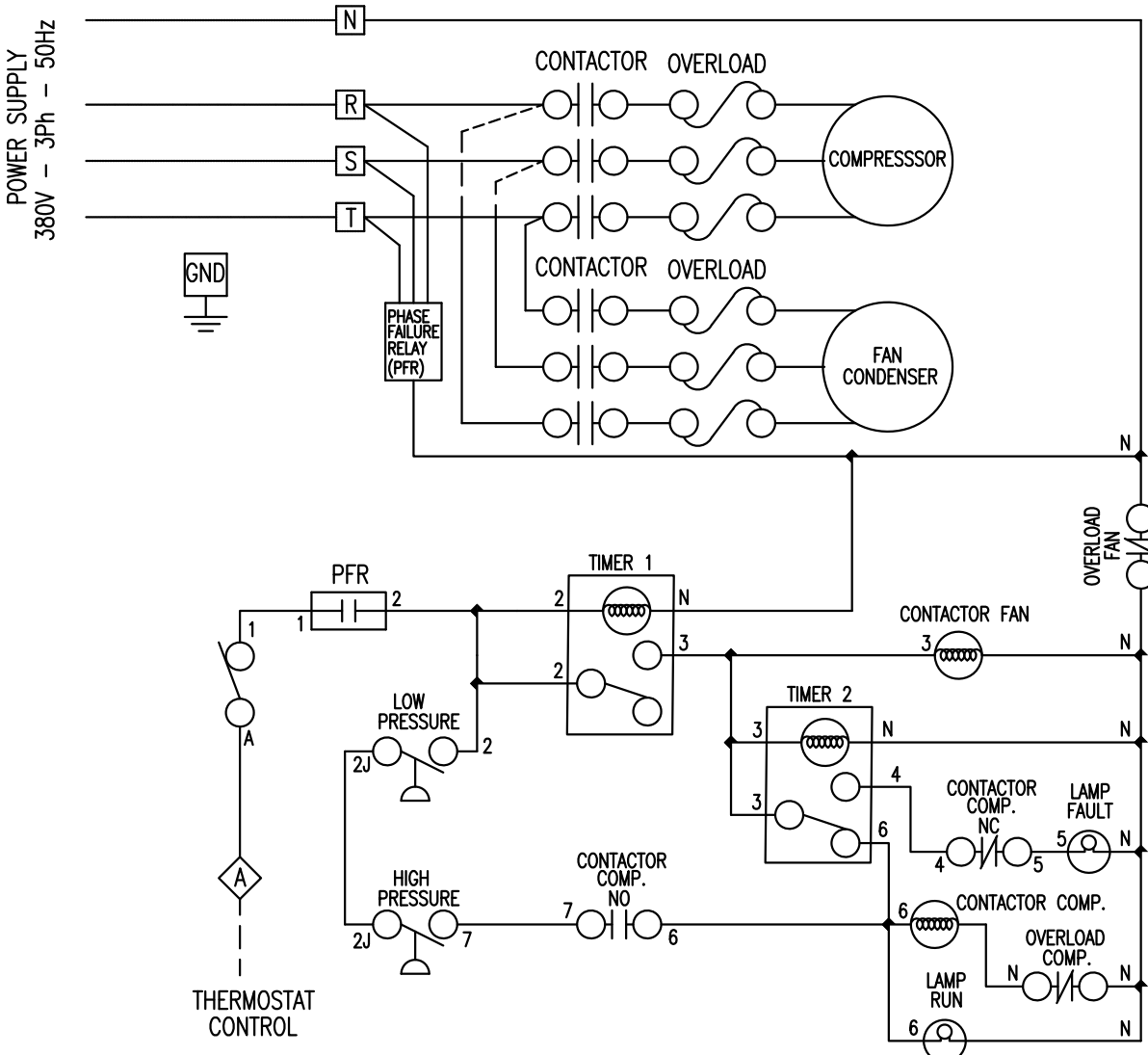
1. Direct Online Connection (DOL)



2. Star Delta Connection



YICA UNIT





OFFICES

Balai kota Gedung G
 Bank Of Indonesia
 Bank CIMB Niaga
 Cyber Kuningan
 GMF Cengkareng
 Indah Kiat
 Indonesia Power
 Indosat
 Kantor Walikota: Pusat, Timur, Barat
 Lion Air
 Menara BATAVIA
 Menara Global
 Menara Karya
 Menara Mandiri Surabaya
 Menara Multi
 Ministry Of Health
 Ministry Of Home Affairs
 Ministry Of Industry
 Ministry Of Justice & Human Rights
 Ministry Of Maritime & Fisheries Affairs
 Ministry Of Trade
 Parliament
 Pertamina
 Puspitek
 Sampurna Strategic Square
 Selatan & Utara
 Senayan Office Tower
 Thamrin Tower
 Trust Radiator Specialist
 Wisma Indocement
 Wisma Pondok Indah
 Wisma Slipi

SHOPPING CENTERS

Atrium Mulia
 Bintaro Life Style
 Boarding Lounge Soetta
 Carrefour
 Carrefour Cawang
 Carrefour Cempaka Putih
 Carrefour Imam Bonjol
 Carrefour Maguwo
 Carrefour Pabelan
 Ciputra Mall Citra Raya
 Ciputra World Jakarta
 Ciputra World Surabaya
 Eco Plaza
 Futami Food
 Giant Hypermarket
 Grage Mall Cirebon
 Grand City Mall
 Grand Metropolitan Mall
 ITC Surabaya
 Kalibata Mall
 King Shopping Center
 Kirana
 KKCC Krampung
 Malang Town Square
 Mall Bogor
 Mall Emporium
 Mall Kalibata
 Mall Karawaci
 Mall Mangga Dua
 Mall Margo City
 Mall Pondok Gede
 Pusat Grosir Cililitan

Mall Puri Indah
 Mall Taman Anggrek
 Mall Tasik
 Matahari Department Store
 Mega Mas
 Metropolitan Mall
 Mitra 10
 Plaza Senayan
 Pondok Indah Mall
 Senen Blok 3
 Ubertos Bandung

HOTELS

Borobudur
 Four Season
 Grand Hyatt
 Grand Kuningan
 Green Tebet
 Horison
 Ibis
 Jayakarta
 Maharaja
 Maharani
 Majapahit
 Mandarin
 Mercure
 Mirah Bogor
 Mulia
 Mustika
 Nelayan
 Nikko Bali
 Novotel
 PHI Heritage
 Pondok Indah
 Quest Surabaya
 Sahid
 Sari Pan Pasific
 Sentral
 Sintesa Peninsula
 Sultan
 Western

HOSPITALS

RSUD Ambon
 RS Anak Bunda
 RS Awal Bross
 RS Budi Asih
 RS Cipto Mangunkusumo
 RS Fatmawati
 RS Islam Surabaya
 RS Jantung Harapan Kita
 RS Kanker Dharmais
 RS Mayapada
 RS Pasar Rebo
 RS PELNI
 RS Persada Malang
 RS Pertamina Pusat
 RS Pondok Indah
 RS Premier
 RS Sari Asih
 RS Siloam Gleaneagle
 RS Siloam Kb Jeruk
 RS Sulianti Saroso
 RSUD Kebumen
 RSUD Purwokerto

INDUSTRIES

ABC
 Aqua
 Bekaert Indonesia
 Bintang Toedjoe
 Calbee Wings Food
 Capsugel
 Charoen Phokpan
 Denso
 Djarum
 Enseval
 Essai
 Fanbo
 Holcim Cement
 Nine Cocoa
 Orang Tua Group
 Pabrik Kara Batam
 Prestine
 Pupuk Kaltim
 Sanbe Farma
 Semen Gresik
 Sinde Budi Sentosa
 STTC
 Tirtamas Perkasa
 Unilever
 Indorama
 Mercy Farma

OTHERS

AIRPORT TERMINAL
 Soekarno-Hatta Terminal I, II, III
 Juanda Surabaya
 Ngurah Rai Denpasar
 Iskandar Muda Aceh

MOBILE AIR CONDITIONING
 Kereta Api Indonesia
 Pelangi Bravo - CONOCO OIL

OFFSHORE
 RIG Platform (Pertamina)

POWER PLANT
 PLTU Paiton
 PLTU Hyundai

RESTAURANTS
 McDonald
 Pizza Hut Indonesia
 Sand Executive Rest
 Starbuck

TV BROADCAST
 TVRI
 RCTI
 SCTV
 TV NET
 TV ONE
 METRO TV
 INDO SIAR
 TRANS TV



PT ITU AIRCONCO
 Air Conditioner Manufacturer
 Quality-Reliability-Speed

Head Office & Factory

Jl. Raya Serang KM 12, Sukadamai, Cikupa, Tangerang 15710
 P : +62 21 5960673-75 +62 21 5962210
 F : +62 21 5963250
 E : factory@ituairconco.id

Marketing Division - Jakarta
 Gedung Jaya Teknik Indonesia 2nd Floor
 Jl. Johar No. 10 Jakarta Pusat 10340
 Tel : + 62 21 3156568-69

Parts & Services Division
 Jl. Raya Serang Km 12, Sukadamai,
 Cikupa, Tangerang 15710
 Tel : +62 21 5960673-75

Marketing Division - Surabaya
 Ruko Central Park Gn Anyar Regency AA-9,
 Gn Anyar, Tambak, Surabaya 60294
 Tel : +62 31 99004555

Marketing Division - Semarang
 Komp. Ruko Pemuda Blok A-4,
 Jl. Kolonel Sugiono, Semarang 50139
 Tel : +62 24 86403634

Marketing Division - Bandung
 Jalan Raden Patah No. 28,
 Bandung 40132
 Tel : +62 22 2511895

Help Desk (24 hours)
 +62 21 5960704